



FTF-3838 Veritek® Performix Transfer Trench Drain Shower Pan

Manufactured from Veritek®
(See page 2 for detailed information.)

WARRANTY
Limited Lifetime – Residential
Limited 10-year – Commercial

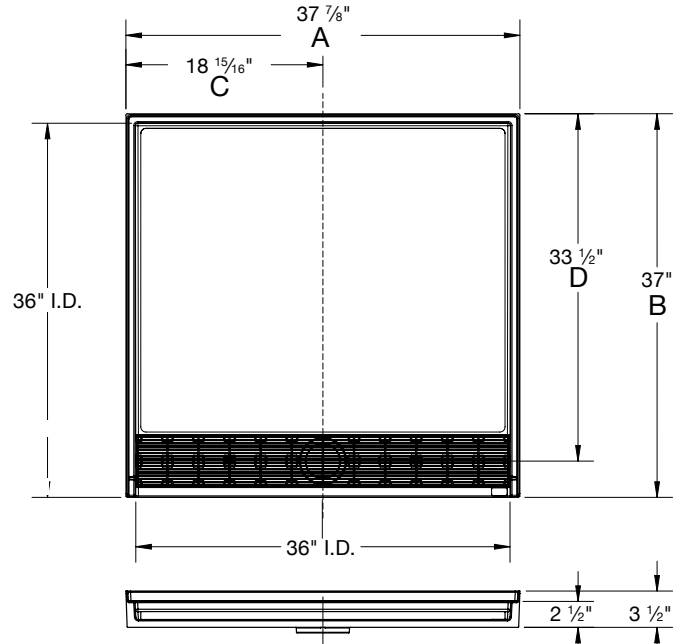
Recommended for high-use traffic areas and commercial surfaces

FEATURES

- Made of Veritek® with no surface coating to chip or crack.
- 3/4" low threshold entry.
- Patented wall-to-wall trench system with attractive 304 stainless grate.
- Impact, chemical and mold resistant.
- Pebbled, textured bottom surface.
- Coordinates with other Swanstone or Veritek® products.

Model	Nominal Size	Rough-In Dimensions			
		A	B	C	D
FTF-3838 Shower Transfer Floor	38" x 38"	37-7/8"	37"	18-15/16"	33-1/2"

IMPORTANT: Rough-in dimensions are provided for reference only. You must measure the actual shower floor and check local building code requirements before construction of the stud wall.



SPECIFICATIONS

FTF-3838 Veritek® Performix Transfer Trench Drain Shower Pan

Model	Part	Nominal Size Dimensions	Ship Wt. Lb.	Ship FedEx	Carton Dims. In.	Cu. Ft.
FTF-3838	FT03838	38" D x 38" W	50	-	45 X 43 X 10	12

Includes: One code-approved Veritek® trench drain shower pan. Standard 2" drain sold separately.

Packaging: Each floor packed in a rectangular carton.

STANDARDS AND RATINGS

ADA
FHA/ANSI B
HUD UM73a
American National Standard Institute—ANSI Z124.1.2
International Association of Plumbing and Mechanical Officials (IAPMO)—Listed
CSA Standard B45.5 by IAPMO
Uniform Plumbing Code (UPC)
California Building Code (CBC)/Title 24

For a complete list of tests and results see the Technical Data Sheet.

SUPPORT DOCUMENTS

Installation instructions available at swanstone.com.

MADE IN USA

COLORS

- Solid Colors:**
- White (010)
 - Bisque (018)
 - Bone (037)

MAINTENANCE AND CLEANING INFORMATION

Clean regularly with common household liquid cleaners and a sponge or soft cloth. For hard water stains, scale removers can be used. If necessary, abrasive cleaners can be used with a nylon brush or pad to remove build up on the shower floor surface. **Do not** use a metal-scouring pad or a wire brush, as it will damage the surface. **Do not** use "leave on" cleaning products, such as automatic spray shower cleaners. Prolonged contact with harsh chemicals could have an adverse reaction over time and discolor surfaces. **Do not** use cleaning agents that caution use on acrylic, polyester or plastics.