



FBF-3462 Veritek® Performix Roll-In Trench Drain Shower Pan

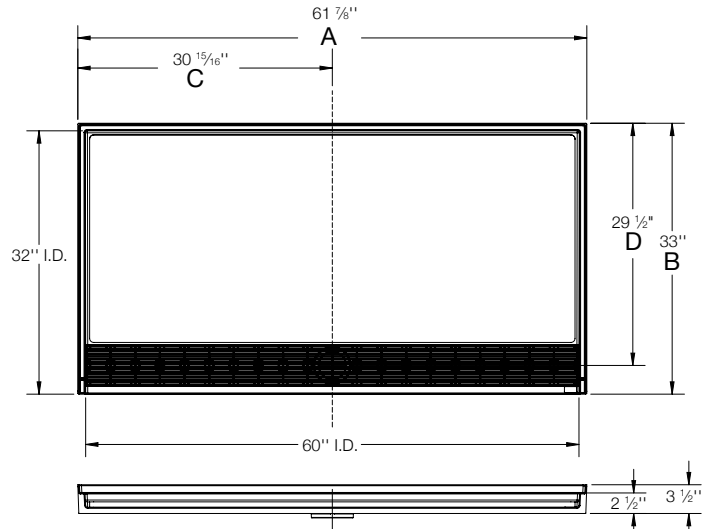
Manufactured from Veritek®
(See page 2 for detailed information.)

WARRANTY
Limited Lifetime – Residential
Limited 10-year – Commercial

FEATURES

- Made of Veritek® with no surface coating to chip or crack.
- 3/4" low threshold entry.
- Patented wall-to-wall trench system with attractive 304 stainless grate.
- Impact, chemical and mold resistant.
- Pebbled, textured bottom surface.
- Coordinates with other Swanstone or Veritek® products.

Model	Nominal Size	Rough-In Dimensions			
		A	B	C	D
FBF-3462 Roll-In	34" x 62"	61-7/8"	33"	30-15/16"	29-1/2"



SHOWER PANS

IMPORTANT: Rough-in dimensions are provided for reference only. You must measure the actual shower floor and check local building code requirements before construction of the stud wall. Meets ADA requirements for use in new construction or existing bathing facilities.

SPECIFICATIONS

FBF-3462 Veritek® Performix Roll-In Trench Drain Shower Pan

Model	Part	Nominal Size Dimensions	Ship Wt. Lb.	Ship FedEx	Carton Dims. In.	Cu. Ft.
FBF-3462	FB03462	34" D x 62" W	67	-	69 x 39 x 10	15.18

Includes: One code-approved Veritek® trench drain shower pan. Standard 2" drain sold separately.

Packaging: Each floor packed in a rectangular carton.

Note: This product meets the dimensional requirements to allow for installation in ADA applications. For up-to-date ADA regulations, visit (ADA.gov).

STANDARDS AND RATINGS

- ADA
- American National Standard Institute—ANSI Z124.1.2
- International Association of Plumbing and Mechanical Officials (IAPMO)—Listed
- CSA Standard B45.5 by IAPMO
- Uniform Plumbing Code (UPC)
- California Building Code (CBC)/Title 24

For a complete list of tests and results see the Technical Data Sheet.

SUPPORT DOCUMENTS

Installation instructions available at swanstone.com.

COLORS

- Solid Colors:**
- White (010)
 - Bisque (018)
 - Bone (037)

MAINTENANCE AND CLEANING INFORMATION

Clean regularly with common household liquid cleaners and a sponge or soft cloth. For hard water stains, scale removers can be used. If necessary, abrasive cleaners can be used with a nylon brush or pad to remove build up on the shower floor surface. **Do not** use a metal-scouring pad or a wire brush, as it will damage the surface. **Do not** use "leave on" cleaning products, such as automatic spray shower cleaners. Prolonged contact with harsh chemicals could have an adverse reaction over time and discolor surfaces. **Do not** use cleaning agents that caution use on acrylic, polyester or plastics.

MADE IN USA