



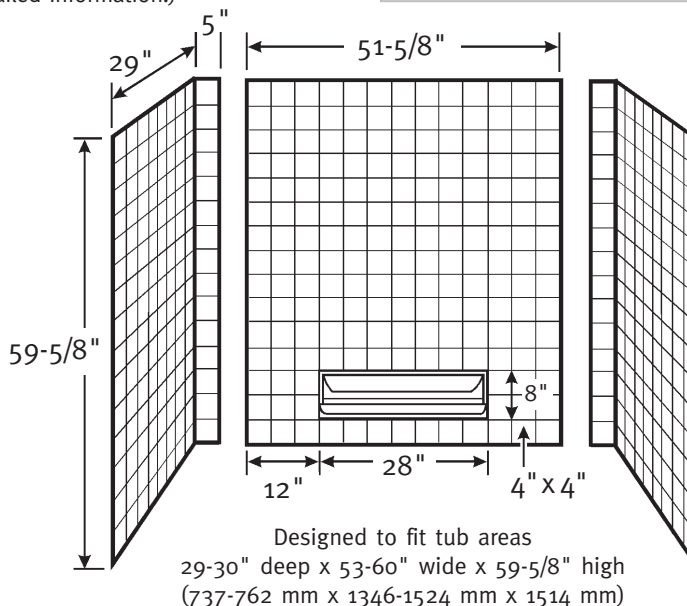
TI-3 Veritek SwanTile™ Bath Wall Kit

Manufactured from Veritek®
(See page 2 for detailed information.)

WARRANTY
Limited Lifetime – Residential
Limited 5-year – Commercial

FEATURES

- Has the real tile look, no grout to clean.
- Made of Veritek® with no surface coating to chip or crack—color runs throughout.
- Molded-in soap shelf and storage shelf.
- The **TI-3** is a glue-up three piece compression-molded unit with molded-in color.
- Patented design keeps shower head spray from aiming at seams.



SPECIFICATIONS

TI-3 Veritek® SwanTile™ Bath Wall Kit

Model	Part	Tub Area Designed To Fit	Ship Wt. Lb.	Ship FedEx	Carton Dims. In.	Cu. Ft.
TI-3	TI30000	29-30" D x 53-60" W x 59-5/8" H (737-762 mm x 1346-1524 mm x 1514 mm)	67	-	65 x 57 x 6	12.87

COLORS

Solid Colors:

- White (010)
- Bisque (018)
- Bone (037)

TI-3 Kit Includes: One back panel with molded-in soap shelf, two end panels.

SUPPORT DOCUMENTS

Installation instructions available at swanstone.com.

MAINTENANCE AND CLEANING INFORMATION

Clean regularly with common household liquid cleaners and a sponge or soft cloth. For hard water stains, scale removers can be used. To protect finish, fiberglass wax or automotive paste wax can be applied. **Do not** use abrasive cleaners or scouring pads. **Do not** use "leave on" cleaning products, such as automatic spray shower cleaners. Prolonged contact with harsh chemicals could have an adverse reaction over time and discolor surfaces. **Do not** use cleaning agents that caution use on acrylic, polyester or plastics.