



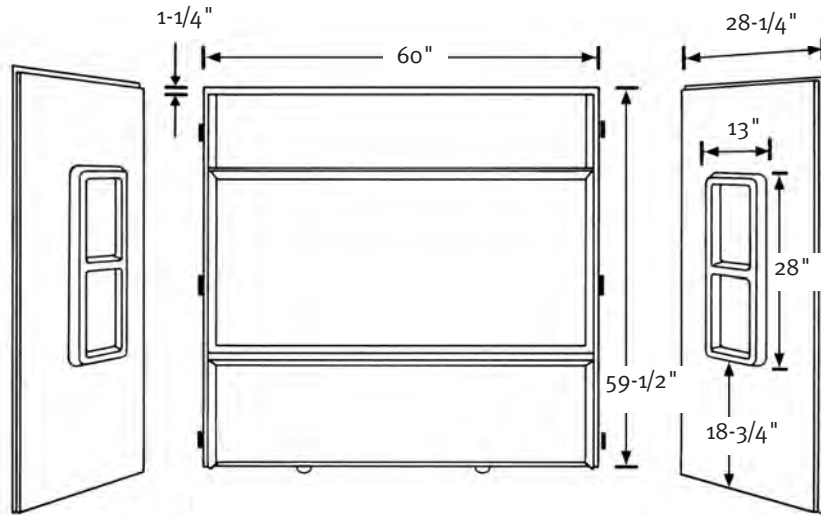
BA-3060 Veritek® Bath Alcove Wall Kit

WARRANTY
 Limited Lifetime – Residential
 Limited 5-year – Commercial

Manufactured from Veritek®
 (See page 2 for detailed information.)

FEATURES

- Nails directly to studs for fast installation.
- Sturdy interlocking system for one-piece appearance.
- Panels easily fit through existing doorways and can be installed by one person.
- Made of Veritek® with no surface coating to chip or crack.
- The BA-3060 is a three piece compression-molded composite material with molded-in color and a natural gloss surface.



Designed to fit tub area
 30" deep x 60" wide* x 59-1/2" high (762 mm x 1524 mm x 1511 mm)
 Shower door opening size: 58-1/16" wide at tub ledge, 58" high

SPECIFICATIONS

BA-3060 Veritek® Bath Alcove Wall Kit

Model	Part	Tub Area Designed To Fit	Ship Wt. Lb.	Ship FedEx	Carton Dims. In.	Cu. Ft.
BA-3060	BA03060	30" D x 60" W* x 59-1/2" H (762 mm x 1524 mm x 1511 mm)	75	-	65 x 63 x 7	15.40

*1-1/2-inch additional area required on outer edges of wall panels to accommodate nail-up flange.

Kit Includes: One right side panel and one left side panel with recessed soap shelves and one back panel with six factory-installed wall mounting clips.

Packaging: Each kit is packed in a flat, rectangular carton.

STANDARDS AND RATINGS

American National Standard Institute—ANSI Z124.1.2

SUPPORT DOCUMENTS

Installation instructions available at swanstone.com.

COLORS

Solid Colors:

- White (010)
- Bisque (018)
- Bone (037)

MAINTENANCE AND CLEANING INFORMATION

Clean regularly with common household liquid cleaners and a sponge or soft cloth. For hard water stains, scale removers can be used. To protect finish, fiberglass wax or automotive paste wax can be applied. **Do not** use abrasive cleaners or scouring pads. **Do not** use "leave on" cleaning products, such as automatic spray shower cleaners. Prolonged contact with harsh chemicals could have an adverse reaction over time and discolor surfaces. **Do not** use cleaning agents that caution use on acrylic, polyester or plastics.