



STS-3738 Swantone Transfer Shower Floors With Fit-Flo™ Drain

Manufactured from Swanstone solid surface
(See page 2 for detailed information.)

WARRANTY
Limited Lifetime – Residential
Limited 10-year – Commercial

Recommended for high-use traffic areas and commercial surfaces.

FEATURES

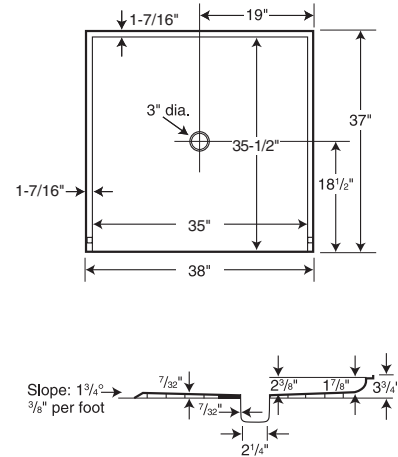
- Reinforced solid surface means color and texture run all the way through and cannot wear away.
- Will not mold or mildew, no grout to clean.
- Coordinates with Swanstone shower and bath systems.
- “S” pattern molded into floor provides a slip-resistant surface.



Universal Design

Model	Nominal Size	Rough-In Dimensions			
		38"	37"	19"	18-1/2"
STS-3738 Shower Transfer Floor	37" x 38"	38-3/8"	37-3/16"	19-3/16"	18-9/16"

IMPORTANT: Rough-in dimensions are provided for reference only. You must measure the actual shower floor and check local building code requirements before construction of the stud wall.



SPECIFICATIONS

STS-3738 Swanstone Transfer Shower Floors With Fit-Flo™ Drain

Model	Part	Nominal Size Dimensions	Ship Wt. Lb.	Ship FedEx	Carton Dims. In.	Carton Cu. Ft.
STS-3738	SF03738MD	37" D x 38" W (940 mm x 965 mm)	46	-	45 x 43 x 10	12

Includes: One code-approved compression-molded Swanstone floor with molded-in Fit-Flo drain.

Packaging: Each floor packed in a rectangular carton.

ACCESSORIES

See page 72 for complete listing of all Universal Design accessories.

STANDARDS AND RATINGS

American National Standard Institute—ANSI Z124.1.2
International Association of Plumbing and Mechanical Officials (IAPMO)—Listed
CSA Standard B45.5 by IAPMO
Uniform Plumbing Code (UPC)

For a complete list of tests and results see the Technical Data Sheet.

SUPPORT DOCUMENTS

Installation instructions available at swanstone.com.

COLORS

Solid Colors:

- White (010)
- Bisque (018)
- Bone (037)

Aggregate Colors:

- Acorn (123)
- Arctic Granite (035)
- Baby's Breath (168)
- Barley (091)
- Bermuda Sand (040)
- Canyon (124)
- Caraway Seed (169)
- Cloud Bone (126)
- Cloud White (125)
- Glacier (121)
- Golden Steppe (128)
- Gray Granite (042)

- Ice (130)
- Mountain Haze (129)
- Night Sky (012)
- Pebble (072)
- Prairie (122)
- Tahiti Desert (050)
- Tahiti Gray (053)
- Tahiti Ivory (059)
- Tahiti Matrix (058)
- Tahiti Sand (051)
- Tahiti White (011)
- Tundra (131)

Our Planet Colors

MAINTENANCE AND CLEANING INFORMATION

Clean regularly with common household liquid cleaners and a sponge or soft cloth. For hard water stains, scale removers can be used. If necessary, abrasive cleaners can be used with a nylon brush or pad to remove build up on the shower floor surface. **Do not** use a metal-scouring pad or a wire brush, as it will damage the surface. **Do not** use “leave on” cleaning products, such as automatic spray shower cleaners. Prolonged contact with harsh chemicals could have an adverse reaction over time and discolor surfaces. **Do not** use cleaning agents that caution use on acrylic, polyester or plastics.