



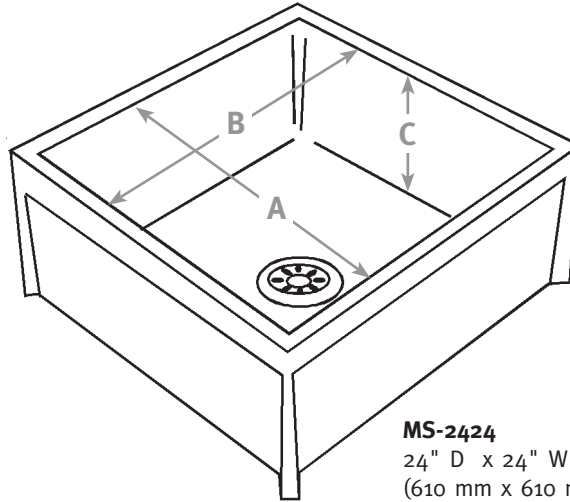
MS-2424 Mop Sink

Manufactured from Swan's stone composite

WARRANTY
Limited 1-year – Residential
Limited 1-year – Commercial

FEATURES

- Manufactured from Swan's compression molded stone composite.
- Includes a 3-inch IPS cast brass drain and a 3-inch drain seal gasket (**MS-2411**).
- Dome strainer and lint basket.
- The most impact and stain-resistant mop sink available.



MS-2424
24" D x 24" W
(610 mm x 610 mm)
A 21-15/16", B 21-15/16", C 9-1/8"

SPECIFICATIONS

MS-2424 Mop Sink

Model	Part	Nominal Dimensions	Ship Wt. Lb.	Ship FedEx	Carton Dims. In.	Cu. Ft.
MS-2424	MS02424WA	24" D x 24" W (610 mm x 610 mm)	49	FedEx	25 x 25 x 13	4.71

Includes: One sink plus one code-approved 3-inch IPS cast brass drain and a 3-inch rubber drain adapter (**MS-2411**).

Packaging: Packed in individual cartons.

COLORS

Solid Colors:

- White (010)

ACCESSORIES

See page 130 for complete listing of all mop sink accessories.

STANDARDS AND RATINGS

American National Standard Institute—ANSI Z124.6

International Association of Plumbing and Mechanical Officials (IAPMO)—Listed

CSA Test Standard B45.5

Uniform Plumbing Code (UPC)

SUPPORT DOCUMENTS

Installation instructions available at swanstone.com.

MAINTENANCE AND CLEANING INFORMATION

Clean regularly with common household liquid cleaners and a sponge or soft cloth. For hard water stains, scale removers can be used. **Do not** use abrasive cleaners or metal scouring pads.

MADE IN USA