



CCSK96-3636 Swanstone Crystal Colors Shower Wall Kit

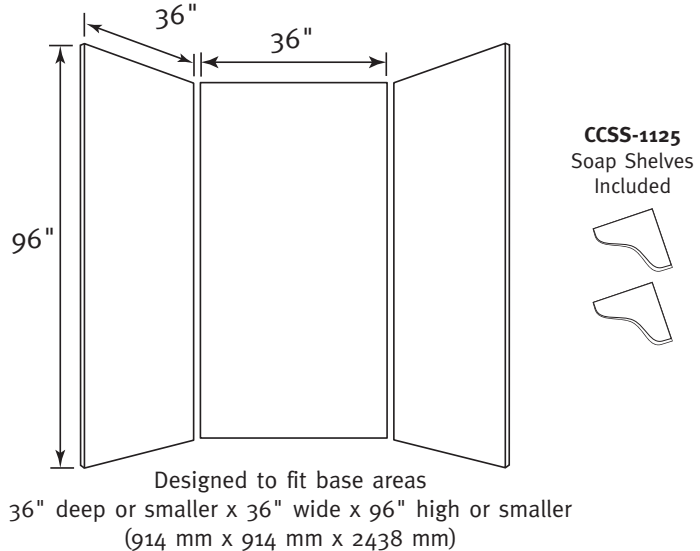
Manufactured from Swanstone solid surface
(See page 2 for detailed information.)

WARRANTY
Limited Lifetime – Residential
Limited 25-year – Commercial

Recommended for high-use traffic areas and commercial surfaces.

FEATURES

- No grout to maintain; will not mold or mildew.
- Ideal for remodeling; easier to install than tile—panels glue up over existing surface.
- Coordinates with other Swanstone bath products.
- Heat resistant—walls can handle steamer units.
- Compression molding means superior durability.



SPECIFICATIONS

CCSK96-3636 Swanstone Crystal Color Shower Wall Kit

Model	Part	Base Area Designed To Fit	Ship Wt. Lb.	Ship FedEx	Carton Dims. In.	Cu. Ft.
CCSK96-3636	CCSK963636	36"D x 36"W x 96"H* (914 mm x 914 mm x 2438 mm) (*or smaller)	178	-	102 x 42 x 4	9.92

Kit Includes: Two side panels, one back panel, two CCSS-1125 corner soap shelves.

Packaging: Each kit is packed in an individual carton.

COLORS

- Caramel Glass (133)
- Crystal Black (107)
- Crystal Cream (106)
- Crystal White (105)
- Gray Glass (134)
- Ivory Glass (132)

ACCESSORIES

- CCSS-1125 Crystal Colors Corner Soap Shelf

STANDARDS AND RATINGS

American Society of Testing and Materials (ASTM) E-84: Class A Flame Spread Rating

American National Standard Institute—ANSI Z124.6

International Association of Plumbing and Mechanical Officials (IAPMO)—Listed

cUPC listed—Certified to CSA Test Standard B45.5 by IAPMO

Uniform Plumbing Code (UPC)

For a complete list of tests and results see the Technical Data Sheet.

SUPPORT DOCUMENTS

Installation instructions available at swanstone.com.

MAINTENANCE AND CLEANING INFORMATION

Clean regularly with common household liquid cleaners and rinse within five minutes of application. Occasional scrubbing with abrasive cleaners ensures that the original luster will be maintained. **Do not** use “leave on” cleaning products, such as automatic spray shower cleaners. Prolonged contact with harsh chemicals could have an adverse reaction over time and discolor surfaces. **Do not** use cleaning agents that caution use on acrylic, polyester or plastics.