



SS-60-3 Swanstone Bath Wall Kit

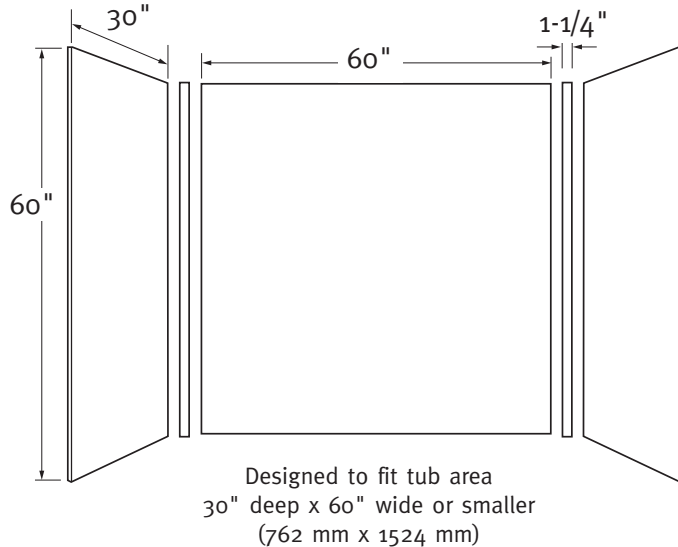
WARRANTY
 Limited Lifetime – Residential
 Limited 30-year – Commercial

Manufactured from Swanstone solid surface
 (See page 2 for detailed information.)

Recommended for high-use traffic areas and commercial surfaces.

FEATURES

- Will not mold or mildew, no grout to clean.
- Ideal for both remodeling projects and new construction.
- Heat resistant—walls can handle steamer units.
- Reinforced solid surface means color and texture run all the way through and cannot wear away.
- Unique glue-up wall system includes a single back panel, two side panels and two corner molding strips.
- Optional **TK-6072** trim kit available.



SPECIFICATIONS

SS-60-3 Swanstone Bath Wall Kit

Model	Part	Tub Area Designed To Fit	Ship Wt. Lb.	Ship FedEx	Carton Dims. In.	Cu. Ft.
SS-60-3	SS00603	30" D x 60" W* (762 mm x 1524 mm) (or smaller)	145	–	66 x 66 x 4	10.08

Kit Includes: One flat back panel, two flat side panels, two corner moldings.
 Soap shelves and installation kit (**SS-29**) sold separately.
 Packaging: Each kit is packed in a flat, rectangular carton.

ACCESSORIES

See page 36 for complete listing of all wall accessories.

STANDARDS AND RATINGS

American Society of Testing and Materials (ASTM) E-84: Class A Flame Spread Rating
 American National Standard Institute—ANSI Z124.6
 International Association of Plumbing and Mechanical Officials (IAPMO)—Listed
 cUPC listed—Certified to CSA Test Standard B45.5 by IAPMO
 Uniform Plumbing Code (UPC)

For a complete list of tests and results see the Technical Data Sheet.

SUPPORT DOCUMENTS

Installation instructions available at swanstone.com.

COLORS

Solid Colors:

- White (010)
- Bisque (018)
- Bone (037)

Aggregate Colors:

- Arctic Granite (035)
- Baby's Breath (168)
- Barley (091)
- Bermuda Sand (040)
- Canyon (124)
- Cloud Bone (126)
- Cloud White (125)
- Glacier (121)
- Golden Steppe (128)
- Gray Granite (042)
- Ice (130)
- Mountain Haze (129)

- Night Sky (012)
- Pebble (072)
- Prairie (122)
- Tahiti Desert (050)
- Tahiti Gray (053)
- Tahiti Ivory (059)
- Tahiti Matrix (058)
- Tahiti Sand (051)
- Tahiti White (011)
- Tundra (131)

Our Planet Colors

MAINTENANCE AND CLEANING INFORMATION

Clean regularly with common household liquid cleaners and rinse within five minutes of application. Occasional scrubbing with abrasive cleaners ensures that the original luster will be maintained. **Do not** use "leave on" cleaning products, such as automatic spray shower cleaners. Prolonged contact with harsh chemicals could have an adverse reaction over time and discolor surfaces. **Do not** use cleaning agents that caution use on acrylic, polyester or plastics.