

AF-4836

inches

AF04836.010
SHOWER PAN
48 x 36 x 5 inches



Shown with optional brass drain assembly.

FEATURES

- Slip-resistant, textured bottom
- Integral tiling flange (3T)
- Center drain
- AcrylX™ applied acrylic surface
- Available in white only
- Lifetime limited warranty

OPTIONS

- Brass drain assembly and cover



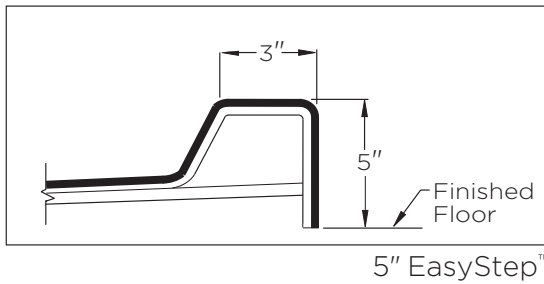
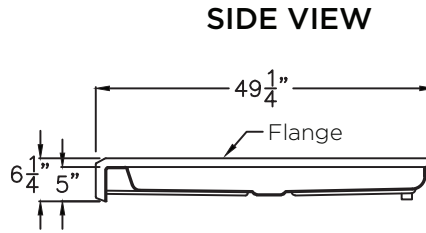
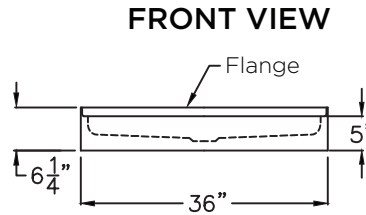
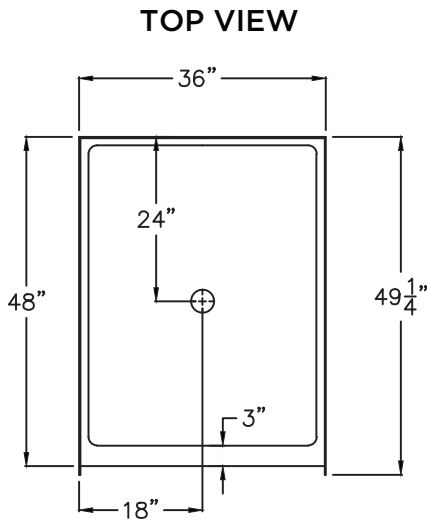
MADE IN THE USA

AF-4836

AF04836.010
48 x 36 x 5 inches



Installation instructions can be found on the Swan website.



FEATURES Dimensional Tolerance $\pm 3/8$ ". Dimensions needed for site preparation should be measured from the unit. Swan assumes no responsibility for preparatory work.

Model #	Material	Drain	Net Wt. lbs.	Pkg. Wt. lbs.
Shower Pan #AF-4836	AcrylX™	Center	65	75

DIMENSIONS

Specifications	inches
Width:	36
Depth:	49 1/4
Height:	6 1/4
Enclosure Opening	-
Drain Rough-In (from Back Wall)	24
Drain Rough-In (from Side Wall)	18

FRAMING DIMENSIONS inches

Type	D Depth	W Width	H Height	A	B	C
Alcove	49 1/4	36 1/4	-	10 x 10	18 1/8	24

