

AF-3850

inches

AF03850.010

ACCESSIBLE SHOWER PAN

Interior: 48 x 37

Exterior: 50 x 38 x 4 3/4



FEATURES

- Pre-leveled base
- Slip-resistant, textured bottom
- AcrylX™ applied acrylic surface
- 4" skirt
- Integral nailing flange
- Center drain
- Lifetime limited warranty (30 year commercial)

CODE COMPLIANCE

- IAPMO Z124-2017
- CSA B45-11
- ICC/ANSI A117.1

**Code compliant when fully equipped and installed according to guidelines.



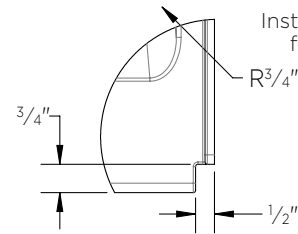
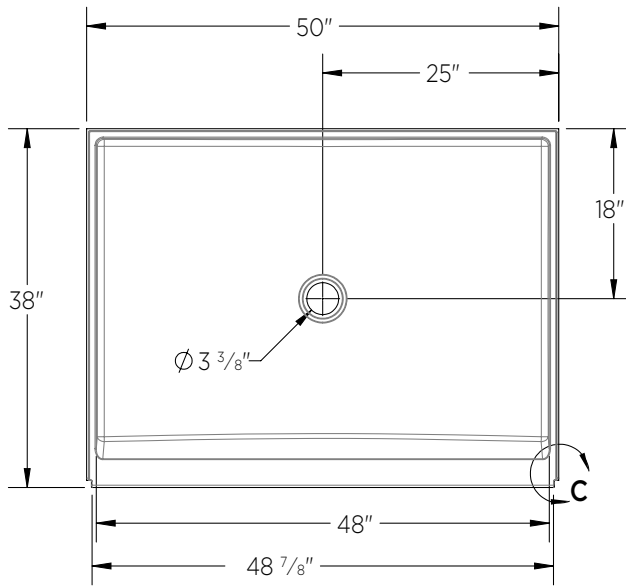
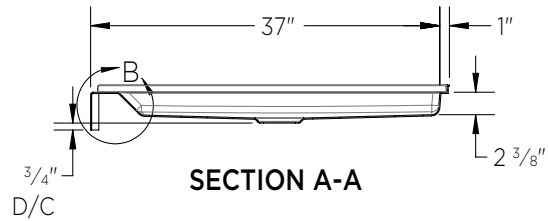
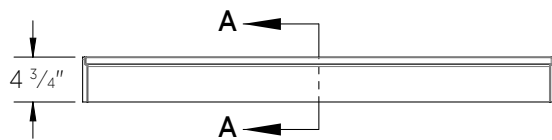
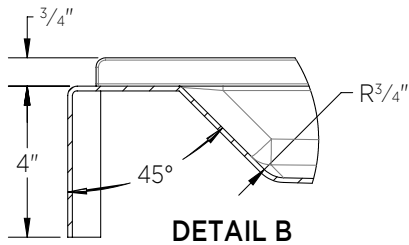
MADE IN THE USA

AF-3850

AF03850.010

 Interior: 48 x 37 x 2 3/4
 Exterior: 50 x 38 x 4 3/4
 inches

Installation instructions can be found on the Swan website.


DETAIL C

SECTION A-A

DETAIL B
FEATURES Dimensional Tolerance $\pm 3/8"$. Dimensions needed for site preparation should be measured from the unit. Swan assumes no responsibility for preparatory work.

Type and Model #	Material	Wall Finish	Pieces	Drain	Dam/Skirt Height	Net Wt. lbs	Pkg. Wt. lbs
Shower pan #AF-3850	AcrylX™	Smooth	1	Center	4	66	76

DIMENSIONS

Specifications	inches
Width: Ext. / Int.	50 / 48
Depth: Ext. / Int.	38 / 37
Height: Ext. / Int.	4 3/4 / 2 3/4
Rough-In (from Back Wall)	18
Rough-Center (from Side Wall)	25

FRAMING DIMENSIONS inches

Type	D Depth	W Width	H Height	A	B	C
Alcove	38	50 1/4	-	10 x 10	25 1/8	18

