

AF-3648

inches

AF03648.010
SHOWER PANS
36 x 48 x 5 inches



FEATURES

- Slip-resistant, textured bottom
- Integral tiling flange (3T)
- Center drain
- AcrylX™ applied acrylic surface
- Available in white only
- Lifetime limited warranty
- Regional availability:
Three Rivers, MI Plant –
Consult Customer Service
for availability

OPTIONS

- Brass drain assembly
and cover



MADE IN THE USA

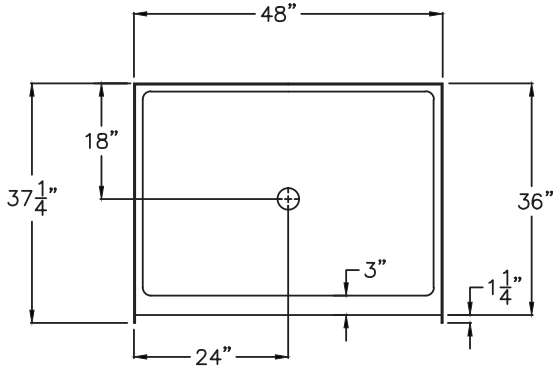
AF-3648

AF03648.010
36 x 48 x 5 inches

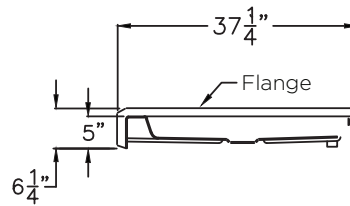


Installation instructions can be found on the Swan website.

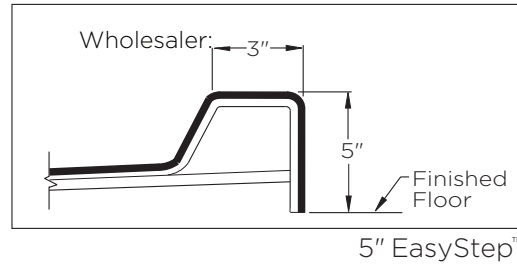
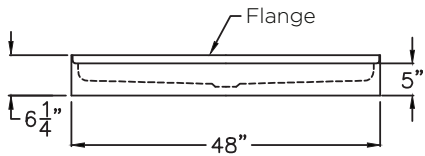
TOP VIEW



SIDE VIEW



FRONT VIEW



FEATURES Dimensional Tolerance $\pm 3/16$: Dimensions needed for site preparation should be measured from the unit. Swan assumes no responsibility for preparatory work.

Model #	Material	Drain	Net Wt. lbs.	Pkg. Wt. lbs.
Shower Pan #AF-3648	AcrylX™	Center	64	74

DIMENSIONS

Specifications	inches
Width:	48
Depth:	37 1/4
Height:	6 1/4
Enclosure Opening	-
Drain Rough-In (from Back Wall)	18
Drain Rough-In (from Side Wall)	24

FRAMING DIMENSIONS inches

Type	D Depth	W Width	H Height	A	B	C
Alcove	37 1/4	48 1/4	-	10 x 10	24 1/8	18

