

AF-3642

inches

AF03642.010
SHOWER PANS
36 x 42 x 5 inches



FEATURES

- Slip-resistant, textured bottom
- Integral tiling flange (3T)
- Center drain
- AcrylX™ applied acrylic surface
- Available in white only
- Lifetime limited warranty

OPTIONS

- Brass drain assembly and cover



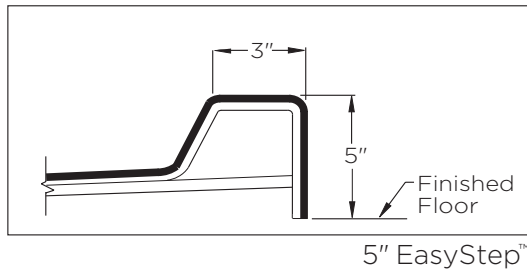
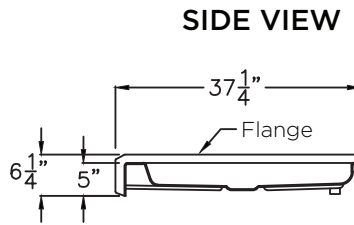
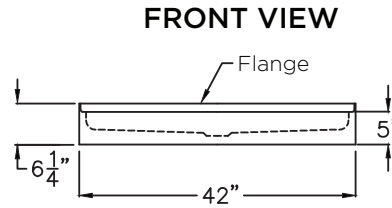
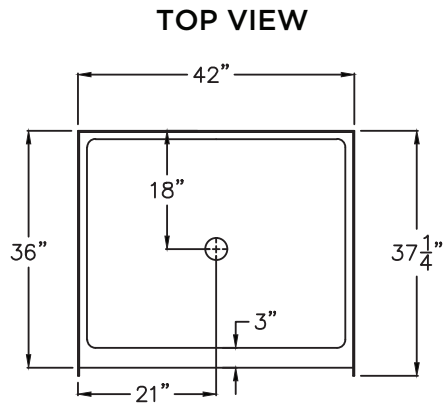
MADE IN THE USA

AF-3642

AF03642.010
36 x 42 x 5 inches



Installation instructions can be found on the Swan website.



FEATURES Dimensional Tolerance $\pm 3/8$ ". Dimensions needed for site preparation should be measured from the unit. Swan assumes no responsibility for preparatory work.

Model #	Material	Drain	Net Wt. lbs.	Pkg. Wt. lbs.
Shower Pan #AF-3642	AcrylX™	Center	60	70

DIMENSIONS

Specifications	inches
Width:	42
Depth:	37 1/4
Height:	6 1/4
Enclosure Opening	-
Drain Rough-In (from Back Wall)	18
Drain Rough-In (from Side Wall)	21

FRAMING DIMENSIONS inches

Type	D Depth	W Width	H Height	A	B	C
Alcove	37 1/4	42 1/4	-	10 x 10	21 1/2	18

