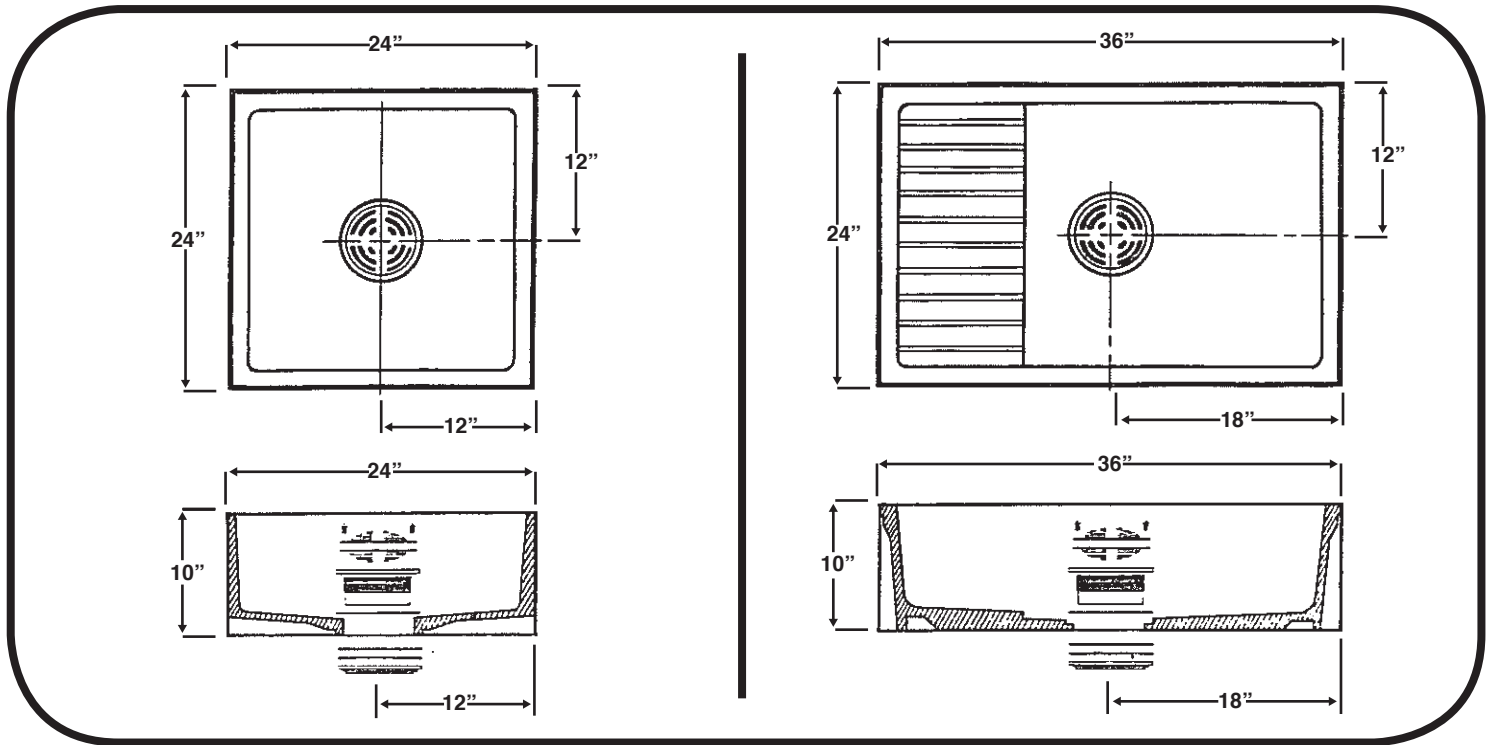
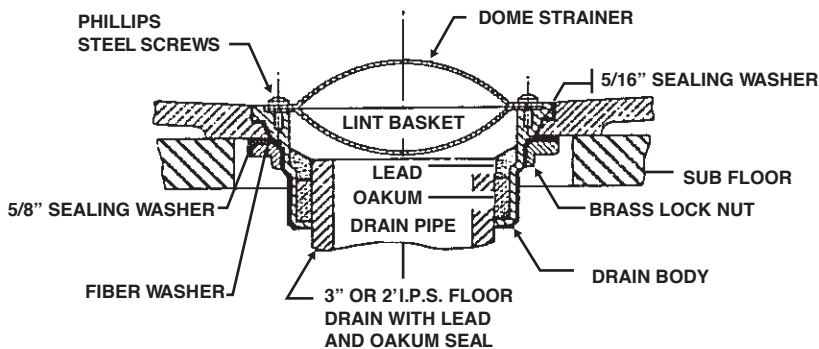


# Installation Procedure for Swan MOP SERVICE SINK MODEL MS-2424 and MS-2436

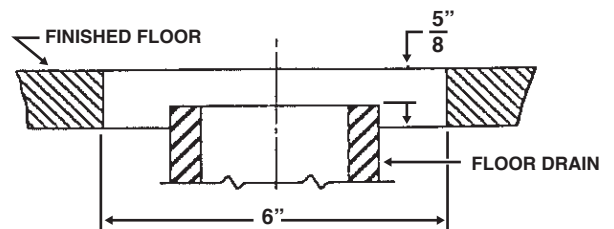


**MODEL #MS2424-3 - 24" x 24"** Mop Service Sink with 3" I.P.S. Brass Drain  
**MODEL #MS2424-2 - 24" x 24"** Mop Service Sink with 2" I.P.S. Brass Drain

**MODEL #MS2436-3 - 24" x 36"** Mop Service Sink with 3" Brass Drain  
**MODEL #MS2436-2 - 24" x 36"** Mop Service Sink with 2" I.P.S. Brass Drain



**SECTION THRU DRAIN CONNECTION**



**SECTIONAL VIEW ROUGH-IN**

## INSTALLATION:

1. Read instructions carefully and familiarize yourself with the parts.
2. Be certain Mop Service Sink is correct size and in good condition before beginning installation.
3. Make sure hole in sub-floor or slab is large enough to accommodate drain and will coincide with the hole in the mop service sink. Hole in sub-floor should be 6" in diameter. Drain pipe should be 5/8" below sub-floor surface.
4. Set drain body into place making sure that screws on drain align with notches on drain opening. Install drain as noted above.
5. Place Mop Service Sink into place and level as required. Seal drain with lead and oakum as necessary.
6. Seal all edges of Mop Service Sink where wall contact is made.



**Swan**

The Swan Corporation  
 515 Olive St.  
 Suite 900  
 St. Louis, MO 63101  
 (800) 325-7008